



# Installation Instructions

## Installation of Dock-n-Safe Safety Rail™

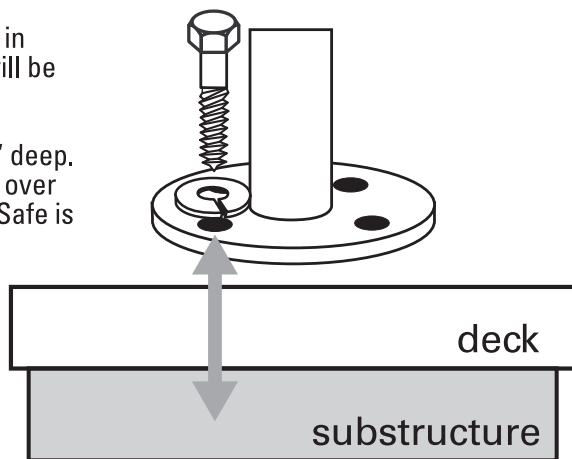
**1.** Install using this technique if installing on part of the dock that has sub-structure under the decking.

Place Dock-n-Safe safety rail in position. Mark where holes will be drilled.

Drill holes using 9/32 drill bit 3" deep. Place Dock-n-Safe safety rail over the holes making sure Grip-n-Safe is facing towards the water.

Place 3/8 inch bolt through Dock-n-Safe "base" and through hole in the deck.

Use a wrench to tighten down.



### WARNING AND DISCLOSURE OF RISKS

This product was designed and developed for a specific purpose: When installed properly and used properly it should assist persons a safer transfer from their watercraft to a dock. If improperly installed, failed to be maintained, or improperly used, this product will not be safe, and may in fact create a risk of injury to persons or property.

To minimize the inherent and ever-present risk of injury associated with boating, watersports and presence of large bodies of water:

This product must be installed and used properly to be effective. See the instructions for proper use and installation.

Periodically check that all connections and installation hardware are intact and tight.

Deck integrity, variations, movement and weather can cause damage to the connecting hardware of this product which may cause product failure leading to personal injury. Periodically inspect the deck for stability and integrity.

Children, elderly and those needing assistance must be supervised and need assistance using this product.

This product is intended for a specific and limited purpose. Using the product for other than its intended purpose may lead to damage to the product, and injury to persons. This product is not intended to be used as a tie-down for boats or other items.

MLDL Inc. / Dock-N-Safe safety rail will not be held liable or responsible for any damage to boats, personal watercrafts, docks or ANYTHING that may come in contact with the Dock-N-Safe safety rail.

MLDL Inc. / Dock-N-Safe safety rail will not be held liable or responsible for any persons who may become injured while using the safety rail. In Addition MLDL Inc. will not be responsible for any injuries that may occur on or around the Dock-N-Safe safety rail.

Installation and use of Dock-N-Safe safety rail is at the customers own risk.

If you have any questions regarding the proper use, installation or maintenance of this product, please contact the manufacturer directly.

MLDL, Inc.

2022 E. Southridge Dr.

Spokane, WA 99223

Phone 509-710-2204

Fax 509-448-3443

[www.docknsafe.com](http://www.docknsafe.com)

[docknsafe@spocom.com](mailto:docknsafe@spocom.com)

## Two installation options or situations

**2.** Install using this technique if installing on part of the dock without any sub-structure (only the decking will be used for support).

Place Dock-n-Safe safety rail in position. Mark where holes will be drilled.

Drill holes using 3/8 inch drill bit completely through the decking.

Place Dock-n-Safe safety rail over the holes making sure Grip-n-Safe is facing towards the water.

Place 3/8 inch bolt through Dock-n-Safe "base" and through hole in the deck.

Place the large washer, lock washer and nut on each bolt and tighten with a wrench.

